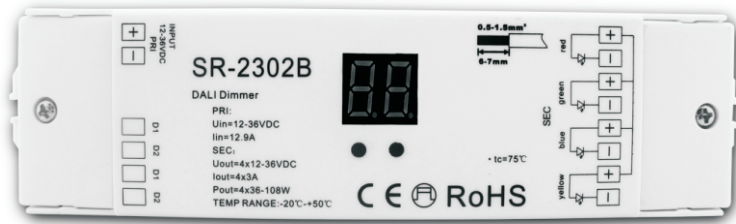


DALI dimmer

Model:SR-2302xx series



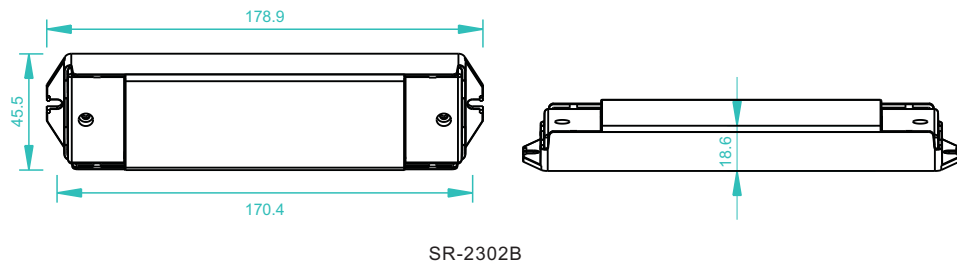
Feature

- Match all DALI system in the market
- Manual /automatically DALI address setting
- DALI address digital indicate
- Four channels with same address
- Compatible with SR-2400TL,SR-2400TG,SR-2400TS,SR-2400LC,SR-2400GC,SR-2400SC and any good quality DALI Master

Parameter

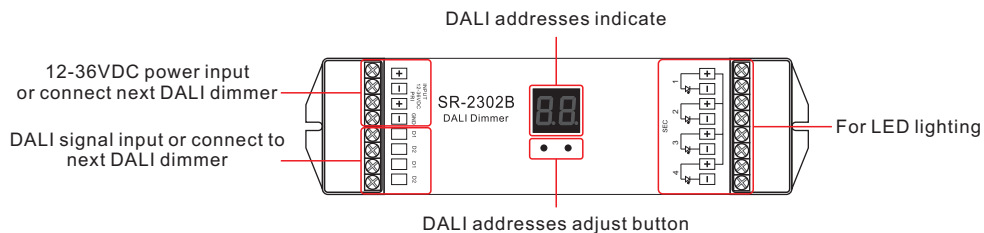
| Part No. | Input Voltage | Current | Output | Remarks |
|------------|---------------|---------|---------------|------------------|
| SR-2302B | 12-36VDC | 4x5A | 4x(60-180)W | Constant voltage |
| SR-2302BEA | 12-36VDC | 4x8A | 4x(96-288)W | Constant voltage |
| SR-2312B | 12-36VDC | 4x350mA | 4x(4.2-12.6)W | Constant current |
| SR-2314B | 12-36VDC | 4x700mA | 4x(8.4-25.2)W | Constant current |

Product Size



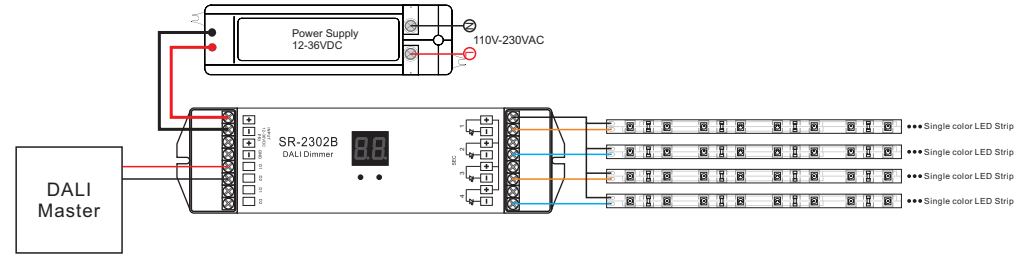
SR-2302B

Brief introduction of buttons

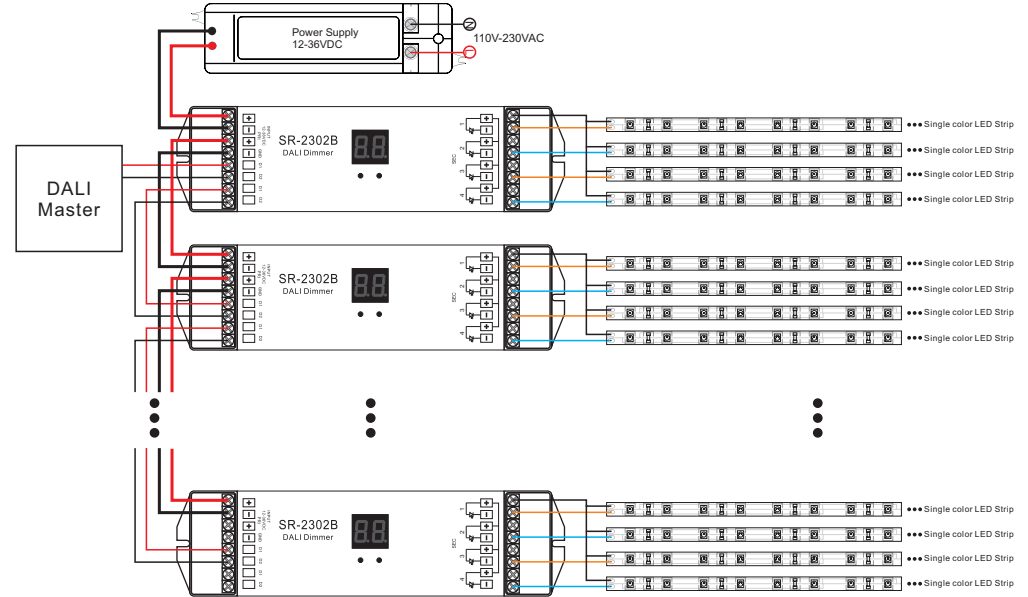


Wiring diagram

1)Connection Diagram for Single Unit



2)Connection Diagram for Multiple Units



Operation

Setting DALI address

- Manual: Long press any button---digital address will flicker---short press button to set address we want---long press any button to confirm.
- DALI master setting: SR-2302xx Series can also be setting address by all DALI master which possesses this function. The specific operation can refer to DALI master manual.
- Once an address is selected, all four channels address will be same. For example, if the decoder is addressed to 22 on the display then CH1 – 22, CH2 – 22, CH3 –22, CH4 – 22.

Safety & Warnings

- 1) The product shall be installed and serviced by a qualified person.
- 2) IP20. Please avoid the sun and rain. When installed outdoors, please ensure it is mounted in a water proof enclosure.
- 3) Always be sure to mount this unit in an area with proper ventilation to avoid overheating.

4) Please check if the output voltage of any LED power supplies used comply with the working voltage of the product.

5) Never connect any cables while power is on and always assure correct connections to avoid short circuits before switching on.

6) Please ensure that the cable is secured tightly in the connector

7) For update information please consult your supplier.

Warranty Agreement

1) We provide lifelong technical assistance with this product:

- 3-year warranty. We print date on every products, for example :1125 means year 2011, week 25. The warranty is for free repair or replacement and covers manufacturing faults only.

- For faults beyond the 3-year warranty we reserve the right to charge for time and parts.

2) Limited Warrenty

- Any defects caused by wrong operation.

- Any damages caused by unauthorized removal, maintenance, modifying, incorrect connection and replacement of chips.

- Any damages due to transportation, vibration etc. after purchase.

- Any damages caused by earthquake, fire, lightning, pollution and abnormal voltage.

- Any damages caused by negligence, inappropriate storing at high temperatures and humidity or near harmful chemicals.

- Product has been updated

3) Repair or replacement as provided under this warranty is the exclusive remedy to the customer.