

Universal series EnOcean Single Color Receiver

09.09101.04290



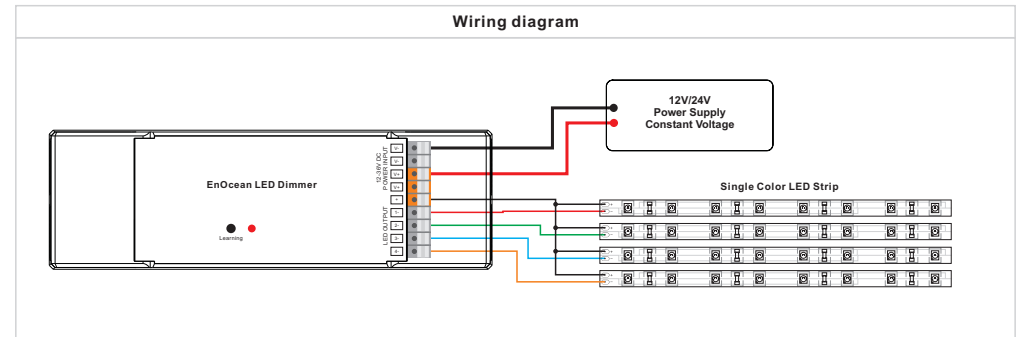
1. Pair EnOcean receiver with EnOcean remote:

- 1.1. Connect and wire up the EnOcean receiver correctly, power on.
- 2.1. Turn on the remote, click the "Learning" button on receiver, immediately click zone number then touch color wheel on remote, the connected led light on receiver flickers twice, means well paired.

Note: one receiver can be paired with max 8 remote controls. one remote control can pair with numberless receivers.

2. Delete the pairing:

- 2.1. Wire up the receiver correctly, power on
- 2.2. Hold the " Learning" button on receiver over 3 seconds until the connected led light on receiver flickers twice, means well deleted.



Picture		Function introduction		
<ul style="list-style-type: none"> ● Waterproof grade: IP20 ● EnOcean receiver 				
No.	Input Voltage	Output Current	Output Power	Remarks
1	12-36VDC	4x5A	4x(60-180)W	Constant voltage
2	12-36VDC	4x350mA	4x(4.2-12.6)W	Constant current
3	12-36VDC	4x700mA	4x(8.4-25.2)W	Constant current
Size				