

Single color EnOcean RF dimmer user manual

SR-EN9001



Parameter

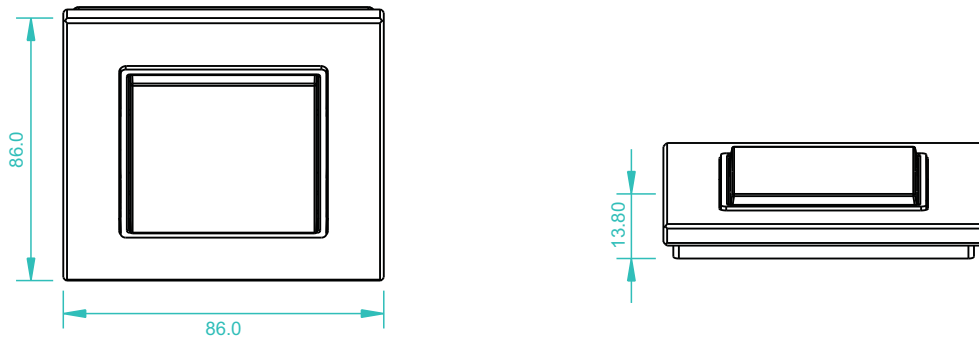
Remote

Part No.	Operation Voltage	Operation Frequency	Dimensions	Remarks
SR-EN9001	No battery	868.3MHz	86x86x13.8	Single Color

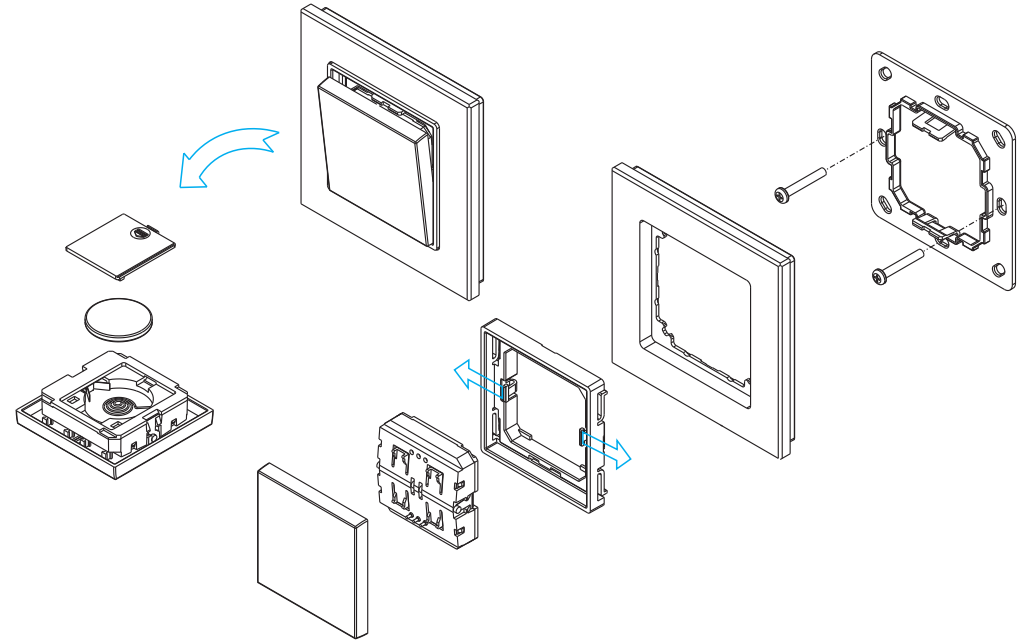
Receiver

Part No.	Input Voltage	Current	Output	Remarks
SR-EN9101	12-36VDC	4x5A	4x(60-180)W	Constant voltage
SR-EN9101P3	12-36VDC	4x350mA	4x(4.2-12.6)W	Constant current
SR-EN9101P7	12-36VDC	4x700mA	4x(8.4-25.2)W	Constant current

Product Size



Installation



Description of function

EnOcean enables the implementation of wireless remote controls without batteries. Power is provided by a built-in electrodynamic power generator.

The switches are battery-less, thanks to energy harvesting technology, and are maintenance-free, energy is generated by pressing the enocean button. Similarly a radio signal is sent when button is released, allowing for dimmer and blinds control.

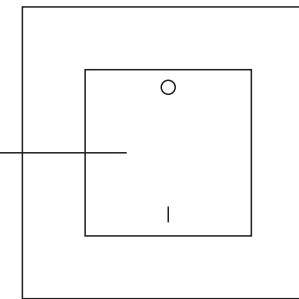
Key function:

- * Choice of single or dual rocker
- * self powered : batteryless and wireless
- * EnOcean RF technology
- * High tempered glass frame
- * Transmission range 300m free field, typ. 30 m indoor

One EnOcean Switch control 1 zone

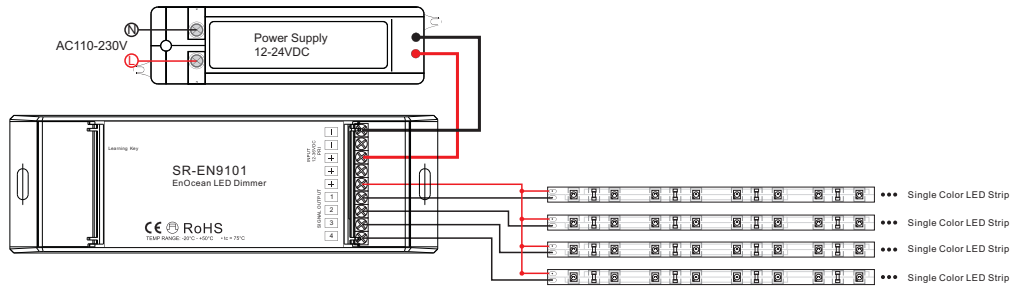
Control 1 zone

- : Short press- on/off, hold finger down- dimming up
- | : Short press- on/off, hold finger down- dimming down.



EnOcean Switch

Wiring diagram



Learning operation of receiver (EnOcean Switch ID)

Short press on learning button of receiver , press any button of EnOcean Switch, once receiver get the signal from EnOcean switch, connected LED flashes for 1 time (output of receiver), Then it learns successfully.

Within 5 seconds, receiver didn't get any signal from EnOcean switch, then connected LED flashes for 2 times (output of receiver), then it withdraws from learning.

Hold finger down for over 5 seconds on learning button of receiver , then it deletes all learned EnOcean switch ID, at this time, connected LED flashes for 3 times (output of receiver).

Safety & Warnings

- 1) The product shall be installed and serviced by a qualified person.
- 2) IP20. Please avoid the sun and rain. When installed outdoors, please ensure it is mounted in a water proof enclosure.
- 3) Always be sure to mount this unit in an area with proper ventilation to avoid overheating.
- 4) Please check if the output voltage of any LED power supplies used comply with the working voltage of the product.
- 5) Never connect any cables while power is on and always assure correct connections to avoid short circuits before switching on.
- 6) Please ensure that the cable is secured tightly in the connector
- 7) For update information please consult your supplier.

Warranty Agreement

- 1) We provide lifelong technical assistance with this product:
 - 5-year warranty. We print date on every products, for example :1125 means year 2011,week 25.The warranty is for free repair or replacement and covers manufacturing faults only.
 - For faults beyond the 3-year warranty we reserve the right to charge for time and parts.
- 2) Limited Warranty
 - Any defects caused by wrong operation.
 - Any damages caused by unauthorized removal, maintenance, modifying, incorrect connection and replacement of chips.
 - Any damages due to transportation, vibration etc. after purchase.
 - Any damages caused by earthquake, fire, lightning, pollution and abnormal voltage.
 - Any damages caused by negligence, inappropriate storing at high temperatures and humidity or near harmful chemicals.
 - Product has been updated
- 3) Repair or replacement as provided under this warranty is the exclusive remedy to the customer.